

Load Rating Chart

Model 2892S

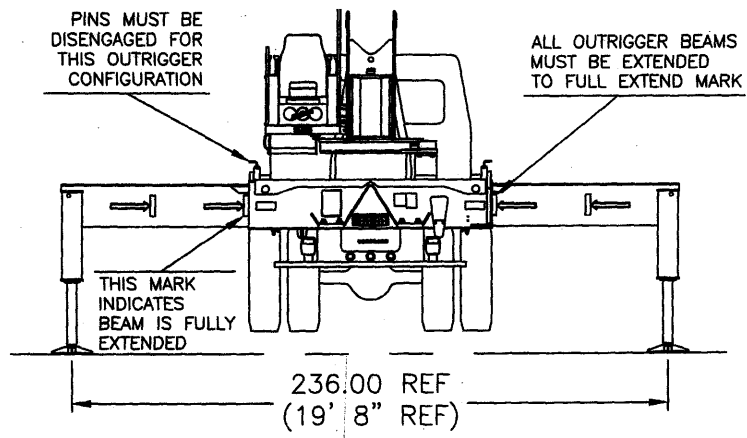
Crane Overall Height: 12' 6"

Manitex

© Manitex 2000

NOTE: Additional copies of this Load Rating Chart can be purchased from your Manitex Distributor. When ordering, use the part number shown in the bottom left corner of this page.

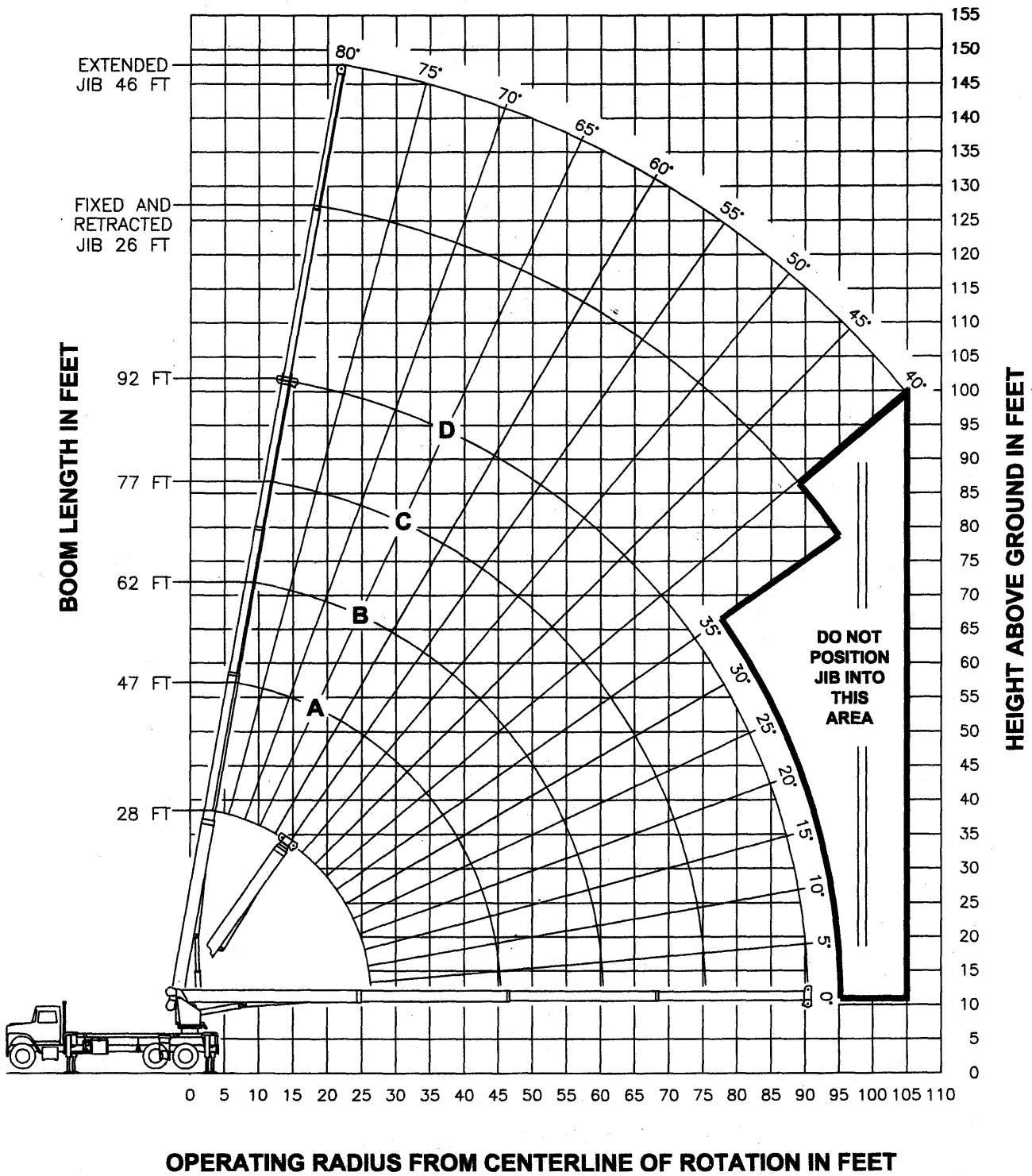
**USE THIS CHART ONLY
WHEN ALL OUTRIGGERS
ARE FULLY EXTENDED**



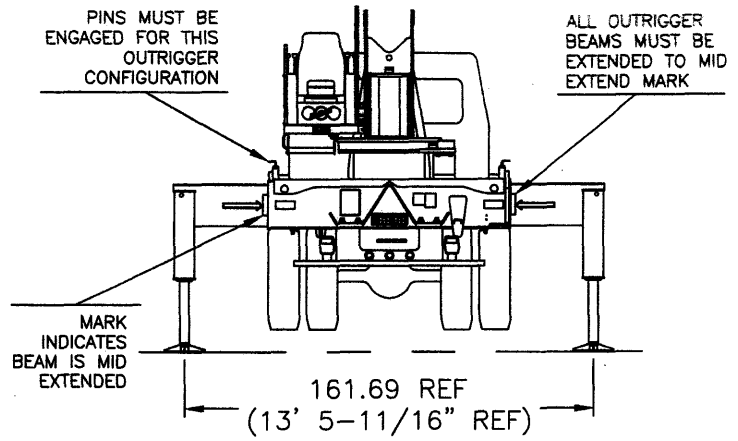
- FULLY EXTENDED OUTRIGGER CONFIGURATION -

| MAIN BOOM LOAD RATINGS IN LBS WITH OUTRIGGERS PLACED AS SHOWN AND THE CRANE LEVEL | | | | | | | | | | JIB LOAD RATINGS IN LBS WITH OUTRIGGERS PLACED AS SHOWN AND THE CRANE LEVEL | | | | | | | | | | | | | |
|---|-------------------|-------------|------------------------|-------|-------|-------|----|------------|--|---|--|----------------|--|-------------|------|---------|------|--------------------------------------|--|--|--|--|--|
| LMI CODE #1 | | | | | | | | | | FIXED JIB | | TELESCOPIC JIB | | | | | | | | | | | |
| OPERATING RADIUS FT | LOADED BOOM ANGLE | | BOOM LENGTH AND MARKER | | | | | | | LMI CODE #2 | | LMI CODE #3 | | LMI CODE #4 | | | | | | | | | |
| | BOOM ANGLE | BOOM LENGTH | MARKER | A | B | C | D | BOOM ANGLE | JIB LENGTH FOR ALL BOOM LENGTHS SEE WARNING NOTE 4 | BOOM ANGLE | JIB LENGTH FOR ALL BOOM LENGTHS SEE WARNING NOTE 4 | BOOM ANGLE | JIB LENGTH FOR ALL BOOM LENGTHS SEE WARNING NOTE 4 | | | | | | | | | | |
| | 28 FT | 47 FT | 62 FT | 77 FT | 92 FT | | | 26 FT | 26 FT | 46 FT | | | | | | | | | | | | | |
| 5 | 79 | 56000 | | | | | | | | | | | | | | | | | | | | | |
| 8 | 73 | 40670 | | | | | | | | | | | | | | | | | | | | | |
| 10 | 69 | 34520 | 78 | 22500 | | | | | | | | | | | | | | | | | | | |
| 12 | 64 | 30130 | 76 | 22500 | 80 | 22500 | | | | | | | | | | | | | | | | | |
| 15 | 57 | 23660 | 72 | 22310 | 77 | 20960 | 80 | 15920 | | | | | | | | | | | | | | | |
| 20 | 43 | 16950 | 65 | 17280 | 72 | 16920 | 77 | 13540 | 79 | 10700 | | | | | | | | | | | | | |
| 25 | 22 | 12820 | 58 | 13210 | 67 | 13310 | 73 | 11710 | 76 | 9290 | 25 | 79 | 5600 | 79 | 5400 | | | | | | | | |
| 30 | | | 50 | 10460 | 62 | 10570 | 69 | 10160 | 73 | 8330 | 30 | 77 | 5300 | 77 | 5100 | 79 | 3400 | | | | | | |
| 35 | | | 41 | 8470 | 57 | 8580 | 65 | 8640 | 70 | 7320 | 35 | 75 | 4960 | 75 | 4700 | 77 | 3300 | | | | | | |
| 40 | | | 30 | 6910 | 51 | 7030 | 60 | 7090 | 66 | 6460 | 40 | 72 | 4490 | 72 | 4230 | 76 | 3200 | | | | | | |
| 45 | | | 11 | 5700 | 44 | 5850 | 56 | 5910 | 63 | 5730 | 45 | 70 | 4080 | 70 | 3820 | 74 | 3040 | | | | | | |
| 50 | | | | | 36 | 4880 | 51 | 4960 | 59 | 5010 | 50 | 67 | 3710 | 67 | 3440 | 72 | 2800 | | | | | | |
| 55 | | | | | 27 | 4000 | 46 | 4090 | 55 | 4140 | 55 | 65 | 3380 | 65 | 3100 | 69 | 2630 | | | | | | |
| 60 | | | | | 10 | 3290 | 40 | 3400 | 51 | 3450 | 60 | 62 | 3080 | 62 | 2810 | 67 | 2480 | | | | | | |
| 65 | | | | | | | 33 | 2820 | 47 | 2880 | 65 | 59 | 2820 | 59 | 2540 | 65 | 2310 | | | | | | |
| 70 | | | | | | | 24 | 2340 | 42 | 2400 | 70 | 56 | 2520 | 56 | 2200 | 63 | 2110 | | | | | | |
| 75 | | | | | | | 9 | 1930 | 37 | 2000 | 75 | 53 | 2110 | 53 | 1820 | 60 | 1940 | | | | | | |
| 80 | | | | | | | | | 31 | 1650 | 80 | 50 | 1760 | 50 | 1470 | 58 | 1770 | | | | | | |
| 85 | | | | | | | | | 23 | 1340 | 85 | 46 | 1460 | 46 | 1170 | 55 | 1610 | | | | | | |
| 90 | | | | | | | | | 9 | 1070 | 90 | 42 | 1200 | 42 | 900 | 52 | 1350 | | | | | | |
| 95 | | | | | | | | | | | 95 | 38 | 960 | 38 | 670 | 49 | 1120 | | | | | | |
| 100 | | | | | | | | | | | 100 | | | | | 46 | 910 | | | | | | |
| 105 | | | | | | | | | | | 105 | | | | | 43 | 720 | | | | | | |
| 460 LBS | | | | | | | | | | 270 LBS | | 210 LBS | | 170 LBS | | 140 LBS | | DEDUCTIONS FOR STOWED FIXED JIB | | | | | |
| 690 LBS | | | | | | | | | | 410 LBS | | 310 LBS | | 250 LBS | | 210 LBS | | DEDUCTIONS FOR STOWED TELESCOPIC JIB | | | | | |

RANGE DIAGRAM - FULLY EXTENDED OUTRIGGER CONFIGURATION -



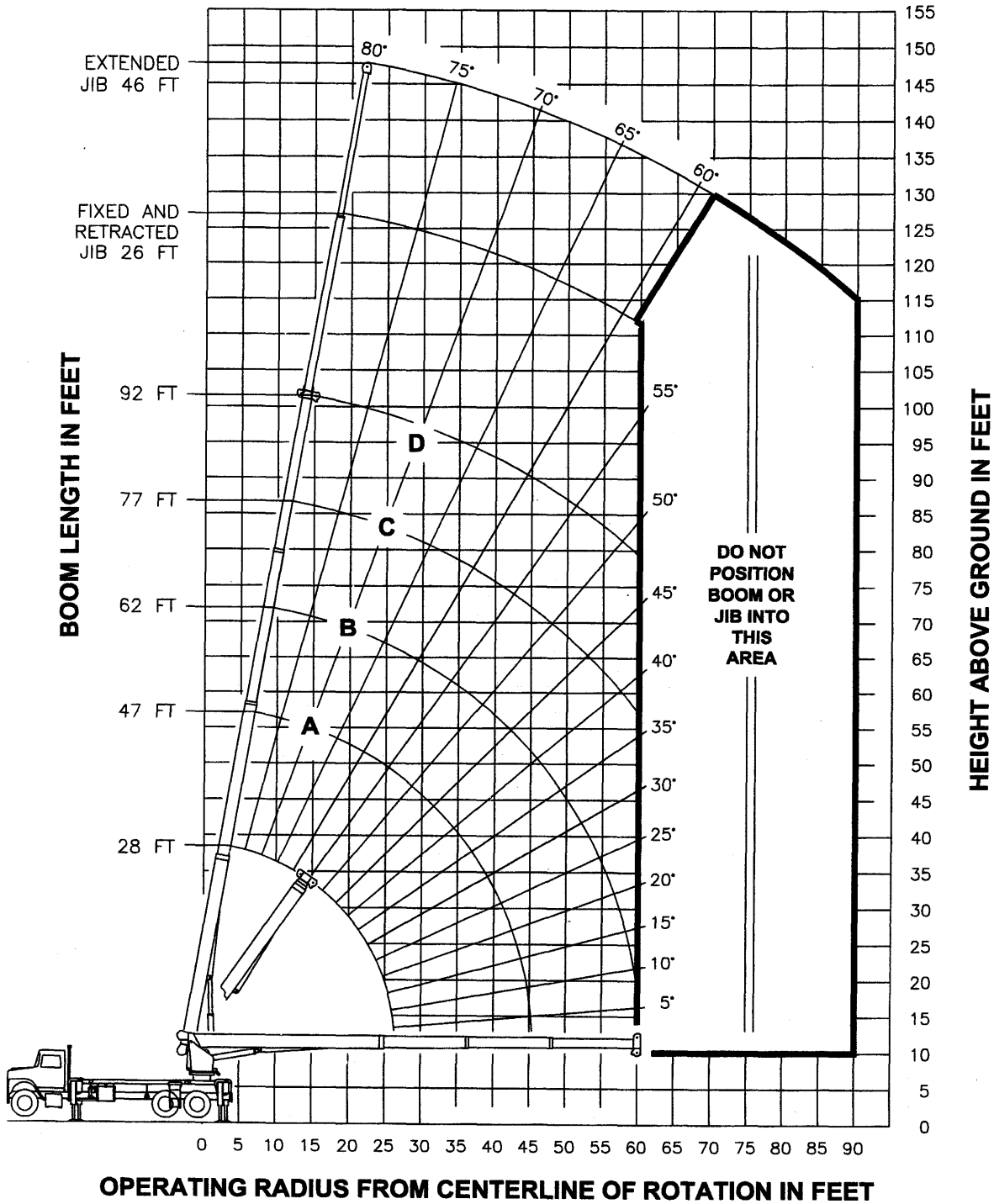
USE THIS CHART ONLY WHEN ALL OUTRIGGERS ARE IN THE INTERMEDIATE POSITION



- INTERMEDIATE OUTRIGGER CONFIGURATION - (MID EXTEND)

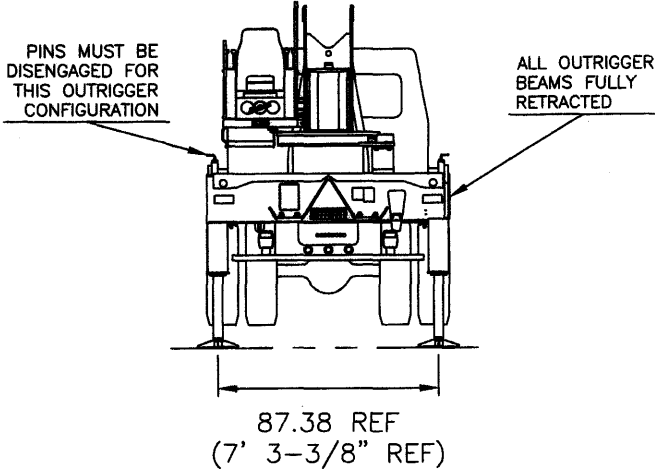
| MAIN BOOM LOAD RATINGS IN LBS WITH OUTRIGGERS PLACED AS SHOWN AND THE CRANE LEVEL | | | | | | | | | | JIB LOAD RATINGS IN LBS WITH OUTRIGGERS PLACED AS SHOWN AND THE CRANE LEVEL | | | | | | | |
|---|-------------------|------------------------|---------|---------|---------|---------|---------------------|--------------------------------------|--|---|--|-------------------|--|----|------|----|------|
| LMI CODE #9 | | | | | | | | | | FIXED JIB | | TELESCOPIC JIB | | | | | |
| OPERATING RADIUS FT | LOADED BOOM ANGLE | BOOM LENGTH AND MARKER | | | | | | | | LMI CODE #10 | LMI CODE #11 | | LMI CODE #12 | | | | |
| | | | A | B | C | D | OPERATING RADIUS FT | LOADED BOOM ANGLE | JIB LENGTH FOR ALL BOOM LENGTHS SEE WARNING NOTE 4 | LOADED BOOM ANGLE | JIB LENGTH FOR ALL BOOM LENGTHS SEE WARNING NOTE 4 | LOADED BOOM ANGLE | JIB LENGTH FOR ALL BOOM LENGTHS SEE WARNING NOTE 4 | | | | |
| | | | 28 FT | 47 FT | 62 FT | 77 FT | 92 FT | | | 26 FT | 26 FT | 46 FT | | | | | |
| 5 | 79 | 56000 | | | | | | | | | | | | | | | |
| 8 | 73 | 40670 | | | | | | | | | | | | | | | |
| 10 | 69 | 34520 | 78 | 22500 | | | | | | 10 | | | | | | | |
| 12 | 64 | 30130 | 76 | 22500 | 80 | 22500 | | | | 12 | | | | | | | |
| 15 | 57 | 21360 | 72 | 21880 | 77 | 20960 | 80 | 15920 | | 15 | | | | | | | |
| 20 | 43 | 12010 | 65 | 12460 | 72 | 12610 | 77 | 12700 | 79 | 10700 | 20 | | | | | | |
| 25 | 22 | 7730 | 58 | 8200 | 67 | 8330 | 73 | 8410 | 76 | 8460 | 25 | 79 | 5600 | 79 | 5400 | | |
| 30 | | | 50 | 5760 | 62 | 5890 | 69 | 5960 | 73 | 6010 | 30 | 77 | 5300 | 77 | 5100 | 79 | 3400 |
| 35 | | | 41 | 4180 | 57 | 4310 | 65 | 4380 | 70 | 4430 | 35 | 75 | 4530 | 75 | 4230 | 77 | 3300 |
| 40 | | | 30 | 3070 | 51 | 3210 | 60 | 3280 | 66 | 3320 | 40 | 72 | 3410 | 72 | 3110 | 76 | 3200 |
| 45 | | | 11 | 2220 | 44 | 2390 | 56 | 2460 | 63 | 2500 | 45 | 70 | 2590 | 70 | 2280 | 74 | 2780 |
| 50 | | | | | 36 | 1750 | 51 | 1830 | 59 | 1870 | 50 | 67 | 1950 | 67 | 1650 | 72 | 2130 |
| 55 | | | | | 27 | 1250 | 46 | 1330 | 55 | 1370 | 55 | 65 | 1450 | 65 | 1140 | 69 | 1620 |
| 60 | | | | | 10 | 820 | 40 | 920 | 51 | 960 | 60 | 62 | 1040 | 62 | 740 | 67 | 1200 |
| 65 | | | | | | | | | | | 65 | 59 | 700 | | | 65 | 860 |
| 70 | | | | | | | | | | | 70 | | | | | 63 | 570 |
| | | | 460 LBS | 270 LBS | 210 LBS | 170 LBS | 140 LBS | DEDUCTIONS FOR STOWED FIXED JIB | | | | | | | | | |
| | | | 690 LBS | 410 LBS | 310 LBS | 250 LBS | 210 LBS | DEDUCTIONS FOR STOWED TELESCOPIC JIB | | | | | | | | | |

RANGE DIAGRAM - INTERMEDIATE OUTRIGGER CONFIGURATION - (MID EXTEND)



NOTE : LIFTING PERSONNEL WITH CRANE IN THIS OUTRIGGER CONFIGURATION IS STRICTLY PROHIBITED. USE ONLY FULLY EXTENDED OUTRIGGER CONFIGURATION WHEN LIFTING PERSONNEL.

**USE THIS CHART
ONLY WHEN ALL
OUTRIGGERS ARE
FULLY RETRACTED**

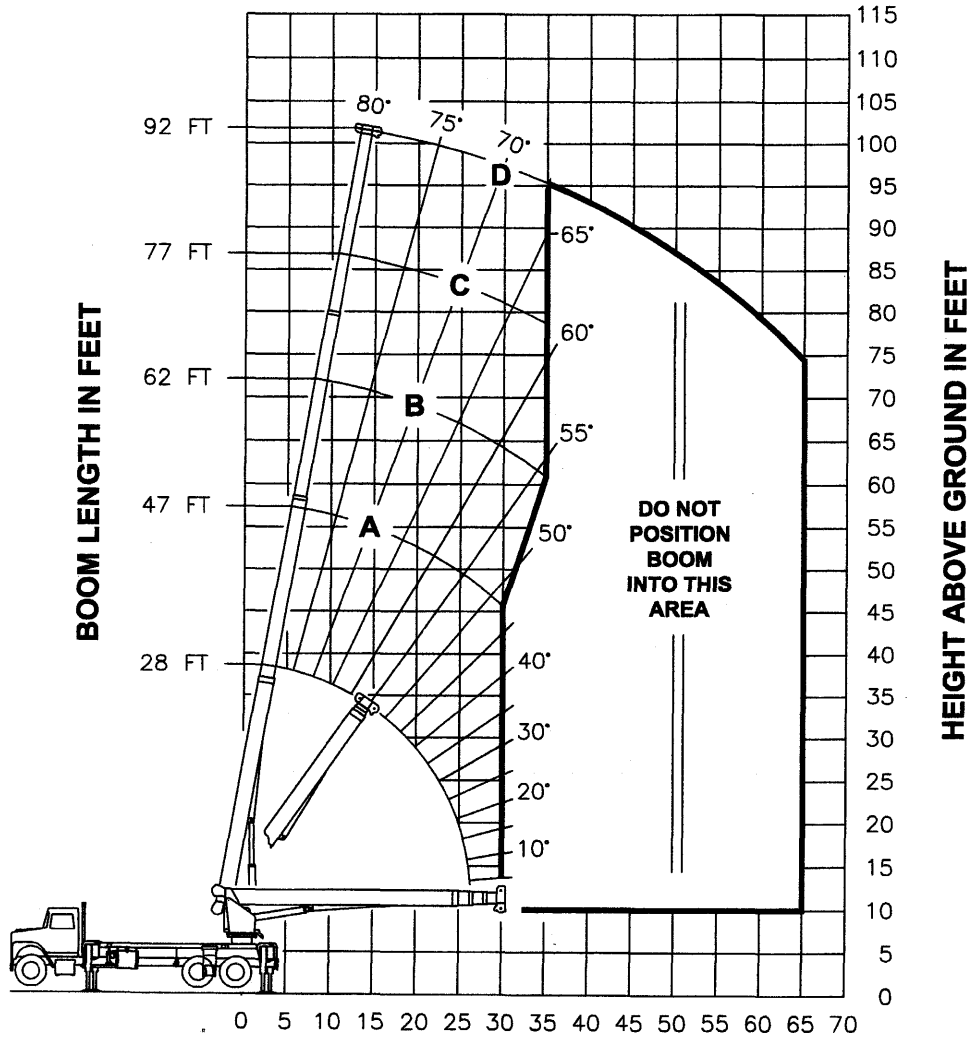


- FULLY RETRACTED OUTRIGGER CONFIGURATION -


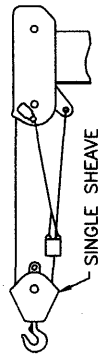
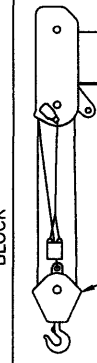
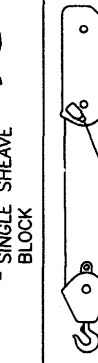
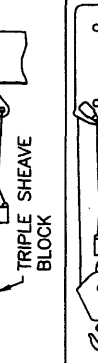
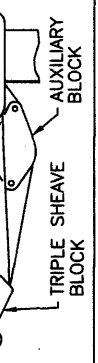
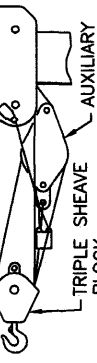
| MAIN BOOM LOAD RATINGS IN LBS WITH OUTRIGGERS PLACED AS SHOWN AND THE CRANE LEVEL | | | | | | | | | | | |
|--|----------------------|---------|---------------------------|---------|----|---------|----|---------|----|---------|--------------------------------------|
| LMI CODE #13 | | | | | | | | | | | |
| OPERATING RADIUS FT | LOADED BOOM ANGLE | | BOOM LENGTH AND MARKER | | | | | | | | |
| | /° | 28 FT | /° | 47 FT | /° | 62 FT | /° | 77 FT | /° | 92 FT | |
| 5 | 79 | 56000 | | | | | | | | | |
| 8 | 73 | 23040 | | | | | | | | | |
| 10 | 69 | 14740 | 78 | 15170 | | | | | | | |
| 12 | 64 | 10410 | 76 | 10800 | 80 | 10940 | | | | | |
| 15 | 57 | 6760 | 72 | 7130 | 77 | 7260 | 80 | 7330 | | | |
| 20 | 43 | 3640 | 65 | 4000 | 72 | 4120 | 77 | 4190 | 79 | 4230 | |
| 25 | 22 | 1940 | 58 | 2340 | 67 | 2450 | 73 | 2510 | 76 | 2550 | |
| 30 | | | 50 | 1300 | 62 | 1410 | 69 | 1470 | 73 | 1510 | |
| 35 | | | | | 57 | 700 | 65 | 760 | 70 | 800 | |
| | | 460 LBS | | 270 LBS | | 210 LBS | | 170 LBS | | 140 LBS | DEDUCTIONS FOR STOWED FIXED JIB |
| | | 690 LBS | | 410 LBS | | 310 LBS | | 250 LBS | | 210 LBS | DEDUCTIONS FOR STOWED TELESCOPIC JIB |

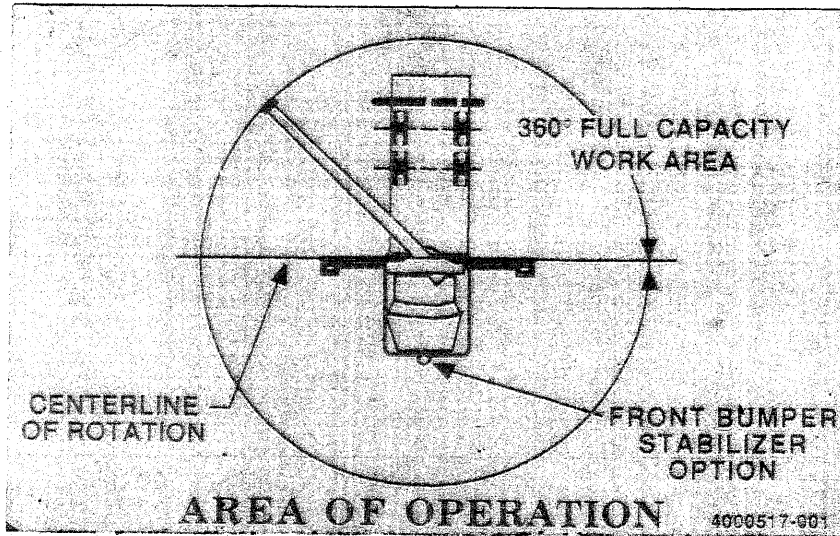
**NO JIBS ARE TO
BE ERRECTED IN
THIS
OUTRIGGER
CONFIGURATION**

**RANGE DIAGRAM
- FULLY RETRACTED OUTRIGGER CONFIGURATION -**



NOTE : LIFTING PERSONNEL WITH CRANE IN THIS OUTRIGGER CONFIGURATION IS STRICTLY PROHIBITED. USE ONLY FULLY EXTENDED OUTRIGGER CONFIGURATION WHEN LIFTING PERSONNEL.

| ALLOWABLE LINE PULL | | | | | | | WARNING |
|---|---|---|---|---|---|---|--|
| 1 PART LINE | 2 PART LINE | 3 PART LINE | 4 PART LINE | 5 PART LINE | 6 PART LINE | 7 PART LINE | |
|  |  |  |  |  |  |  | |
| 8500 LBS | 17000 LBS | 25500 LBS | 34000 LBS | 42500 LBS | 51000 LBS | 56000 LBS | |
| 7400 LBS | 14800 LBS | 22200 LBS | 29600 LBS | 37000 LBS | 44400 LBS | 51800 LBS | 9/16" 6X25 IWRC (3.5:1 SF) - 29750 LBS MIN BREAKING STRENGTH 9/16" ROT RESISTANT (5.0:1 SF) - 37000 LBS MIN BREAKING STRENGTH |



DEDUCTIONS FROM RATED LOADS FOR LOAD HANDLING DEVICES SUPPLIED BY MANITEX.

- AUXILIARY BLOCK ————— 50 LBS
- AUXILIARY SHEAVE ————— 50 LBS
- OVERHAUL BALL ————— SEE OVERHAUL BALL MANUFACTURER NAMEPLATE
- LOAD BLOCK ————— SEE BLOCK MANUFACTURER NAMEPLATE
- HOSE REEL ————— 140 LBS
- SWING AROUND JIB ————— SEE LOAD CHART

WARNING (CONTINUED)

8. PRACTICAL WORKING LOADS DEPEND ON SUPPORTING SURFACE, WIND, AND OTHER FACTORS AFFECTING STABILITY SUCH AS HAZARDOUS SURROUNDINGS, EXPERIENCE OF PERSONNEL, AND PROPER HANDLING, ALL OF WHICH MUST BE TAKEN INTO ACCOUNT BY THE OPERATOR.
9. THE MAXIMUM LOAD WHICH MAY BE TELESCOPED IS LIMITED BY HYDRAULIC PRESSURE, BOOM ANGLE, AND BOOM LUBRICATION. IT IS SAFE TO ATTEMPT TO TELESCOPE ANY LOAD WITHIN THE LIMITS OF THE LOAD RATING CHART.
10. LIFTING OFF THE MAIN BOOM POINT WHILE THE SWING AROUND JIB IS ERECTED IS NOT INTENDED OR APPROVED.

INFORMATION

1. DEDUCTIONS MUST BE MADE FROM RATED LOADS FOR STOWED JIB, OPTIONAL ATTACHMENTS, HOOKS, AND LOADBLOCKS (SEE DEDUCTION CHART). WEIGHTS OF SLINGS AND ALL OTHER LOAD HANDLING DEVICES SHALL BE CONSIDERED A PART OF THE LOAD.
2. LOAD RATINGS ABOVE THE HEAVY LINE ARE STRUCTURALLY LIMITED CAPACITIES. LOAD RATINGS BELOW THE HEAVY LINE ARE STABILITY LIMITED CAPACITIES AND DO NOT EXCEED 85% OF TIPPING.

DEFINITIONS

1. OPERATING RADIUS IS THE HORIZONTAL DISTANCE FROM THE AXIS OF ROTATION TO THE CENTER OF THE VERTICAL HOIST LINE OR TACKLE WITH LOAD APPLIED.
2. LOADED BOOM ANGLE AS SHOWN IN THE COLUMN HEADED BY \angle , IS THE INCLUDED ANGLE BETWEEN THE HORIZONTAL AND LONGITUDINAL AXES OF THE BOOM BASE AFTER LIFTING RATED LOAD AT RATED RADIUS.

LMI OPERATING CODES

| SETTING | CRANE CONFIGURATION | OUTRIGGER CONFIGURATION |
|---------|--|-------------------------|
| #1 | — MAIN BOOM — | FULLY EXTENDED |
| #2 | — FIXED JIB — | FULLY EXTENDED |
| #3 | — TELESCOPIC JIB—RETRACTED — | FULLY EXTENDED |
| #4 | — TELESCOPIC JIB—EXTENDED — | FULLY EXTENDED |
| #5 | — PERSONNEL LIFTING PLATFORM ON MAIN BOOM — | FULLY EXTENDED |
| #6 | — PERSONNEL LIFTING PLATFORM ON FIXED JIB — | FULLY EXTENDED |
| #7 | — PERSONNEL LIFTING PLATFORM ON TELESCOPIC JIB—RETRACTED — | FULLY EXTENDED |
| #8 | — PERSONNEL LIFTING PLATFORM ON TELESCOPIC JIB—EXTENDED — | FULLY EXTENDED |
| #9 | — MAIN BOOM — | INTERMEDIATE |
| #10 | — FIXED JIB — | INTERMEDIATE |
| #11 | — TELESCOPIC JIB—RETRACTED — | INTERMEDIATE |
| #12 | — TELESCOPIC JIB—EXTENDED — | INTERMEDIATE |
| #13 | — MAIN BOOM — | FULLY RETRACTED |

WARNING

1. THE OPERATOR MUST READ AND UNDERSTAND THE OWNER'S MANUAL BEFORE OPERATING THIS CRANE.
2. POSITIONING OR OPERATION OF CRANE BEYOND AREAS SHOWN ON THIS CHART IS NOT INTENDED OR APPROVED EXCEPT WHERE SPECIFIED IN OWNER'S MANUAL.
3. LOADED BOOM ANGLES AT SPECIFIED BOOM LENGTHS GIVE ONLY AN APPROXIMATION OF THE OPERATING RADIUS. THE BOOM ANGLE BEFORE LOADING SHOULD BE GREATER TO ACCOUNT FOR DEFLECTIONS. DO NOT EXCEED THE OPERATING RADIUS FOR RATED LOADS.
4. THE OPERATING RADIUS SHOWN IN THE JIB RATING CHART IS FOR FULLY EXTENDED BOOM ONLY. WHEN BOOM IS NOT FULLY EXTENDED, USE ONLY LOADED BOOM ANGLE TO DETERMINE LOAD RATING OF JIB.
5. FOR BOOM ANGLES NOT SHOWN ON JIB LOAD RATING CHART, USE RATING OF NEXT LOWER BOOM ANGLE.
6. FOR BOOM LENGTHS NOT SHOWN, USE RATING OF NEXT SHORTER OR LONGER BOOM LENGTH, WHICHEVER IS LESS. FOR RADII NOT SHOWN, USE RATING OF NEXT LONGER RADIUS.
7. CRANE LOAD RATINGS ON OUTRIGGERS ARE BASED ON FREELY SUSPENDED LOADS WITH THE MACHINE LEVELED AND STANDING ON A FIRM UNIFORM SUPPORTING SURFACE. NO ATTEMPT SHALL BE MADE TO MOVE A LOAD HORIZONTALLY ON THE GROUND IN ANY DIRECTION.