

Load Rating Chart

Model 38124SHL

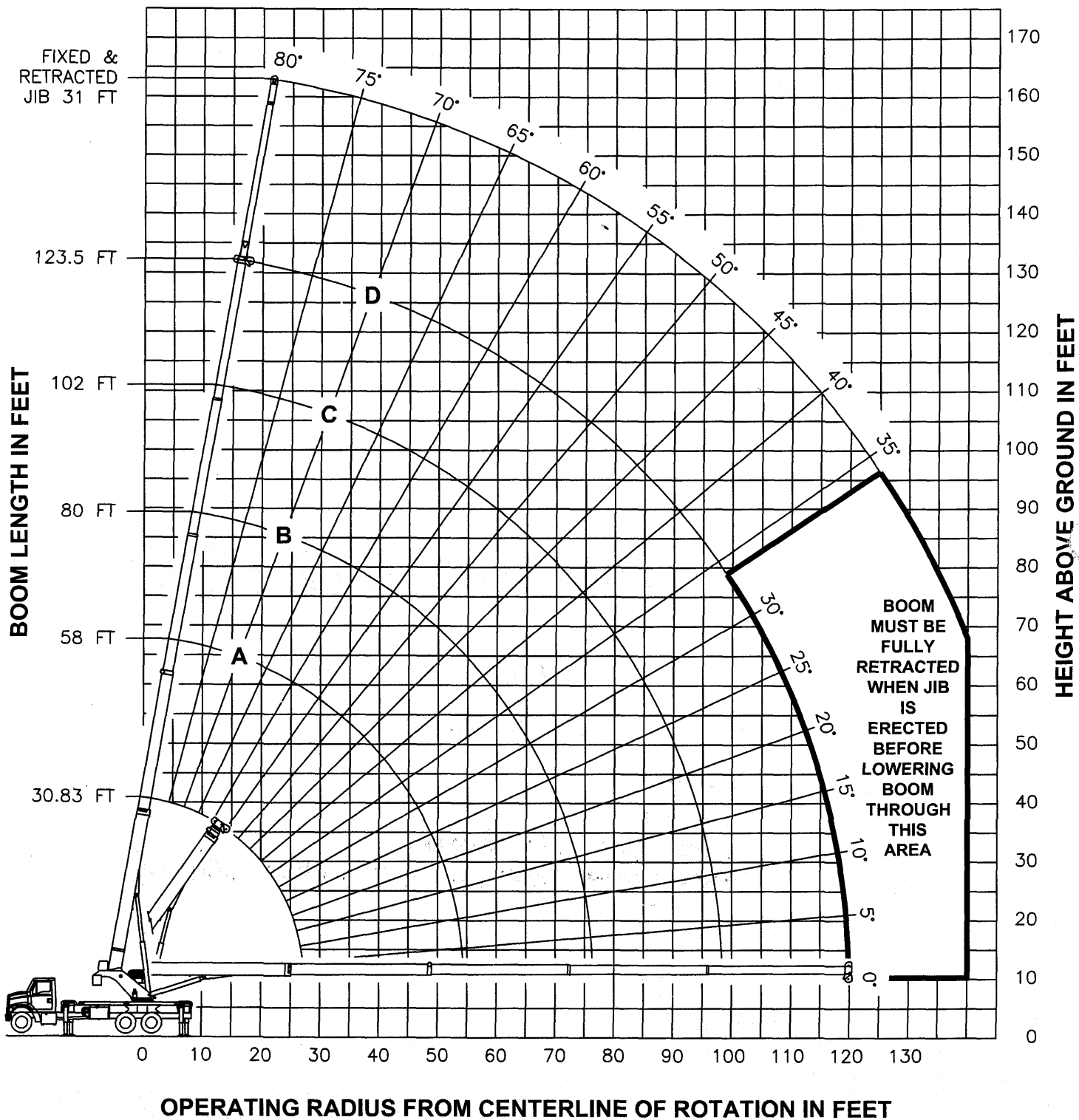
Crane Height: 12' 6" High

The Manitex logo is written in a bold, italicized, sans-serif font. The letters are slanted upwards to the right. A thick black underline is positioned beneath the text, extending slightly beyond the right edge of the word.

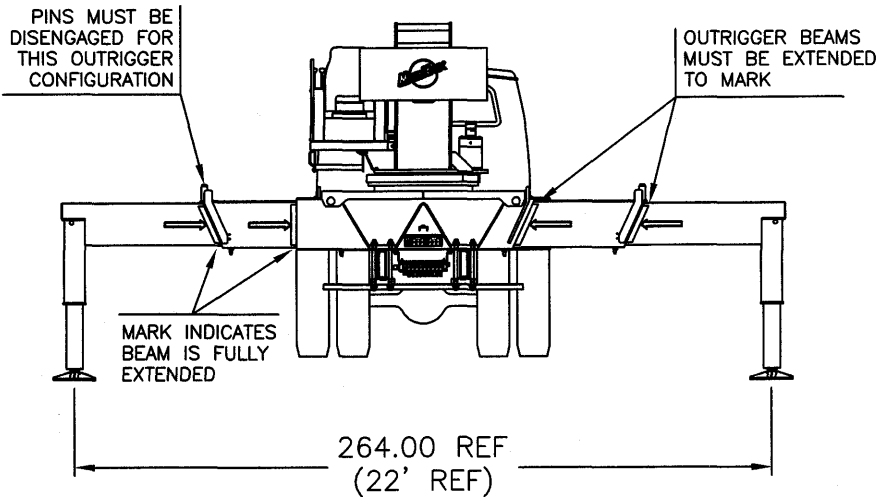
© Manitex 2000

NOTE: Additional copies of this Load Rating Chart can be purchased from your Manitex Distributor. When ordering, use the part number shown in the bottom left corner of this page.

RANGE DIAGRAM - FULLY EXTENDED OUTRIGGER CONFIGURATION -

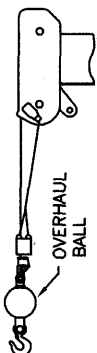
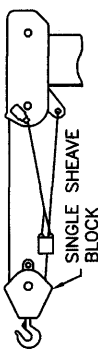
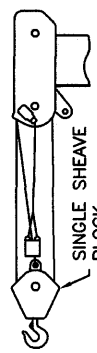
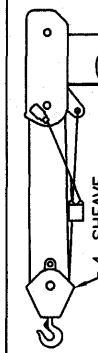
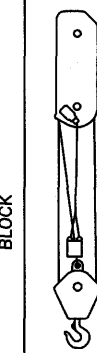
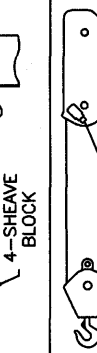
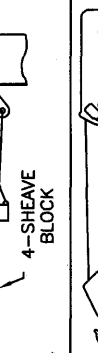



**USE THIS CHART ONLY
WHEN ALL
OUTRIGGERS ARE
FULLY EXTENDED**



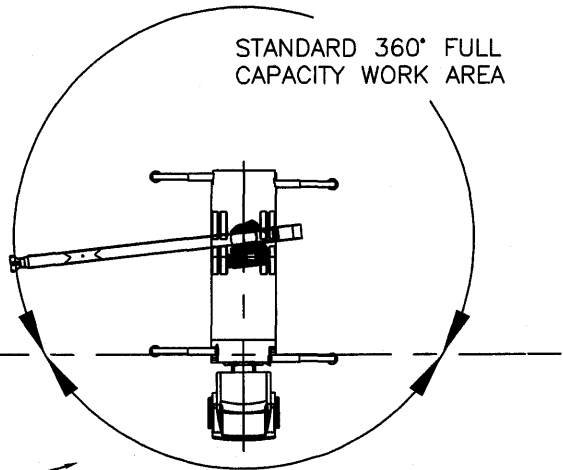
- FULLY EXTENDED OUTRIGGER CONFIGURATION -

LOAD RATINGS IN LBS WITH ALL OUTRIGGERS FULLY EXTENDED											JIB LOAD RATINGS IN LBS WITH ALL OUTRIGGERS FULLY EXTENDED				
LMI CODE #1											LMI CODE #2				
OPERATING RADIUS FT	LOADED BOOM ANGLE		BOOM LENGTH AND MARKER								OPERATING RADIUS FT	BOOM ANGLE	31 FT JIB FOR ALL BOOM LENGTHS SEE WARNING NOTE 4		
	30.83 FT	58 FT	80 FT	102 FT	123.5 FT										
5	75	76000													
8	69	60500													
10	64	52550													
12	60	46600	75	25000								10			
15	53	39600	73	25000	79	21500						12			
20	40	31330	67	25000	75	19700	80	14500				15			
25	22	24100	62	22840	71	18200	77	13500	80	8450		20			
30			56	19550	67	16250	74	12820	78	8150	30	80		4000	
35			49	16100	63	14540	71	11380	75	7800	35	78		3850	
40			42	12900	59	13070	68	10160	72	7280	40	76		3700	
45			34	10540	54	10800	65	9370	70	6780	45	74		3550	
50			23	8720	50	9000	61	8430	67	6160	50	72		3400	
55					44	7570	58	7620	65	5540	55	70		3250	
60					39	6400	54	6530	62	5000	60	68		3080	
65					32	5430	50	5570	59	4520	65	66		2910	
70					24	4610	46	4760	56	4090	70	64		2750	
75					12	3900	42	4060	53	3700	75	62		2600	
80							37	3470	50	3350	80	60		2460	
85							32	2940	47	3020	85	58		2320	
90							25	2480	43	2560	90	55		2170	
95							17	2060	40	2150	95	53		1930	
100									35	1790	100	51		1720	
105									31	1460	105	48		1530	
110									25	1160	110	45		1350	
115									18	880	115	43		1200	
120											120	40		1020	
125											125	36		800	
		450 LBS		240 LBS		180 LBS		140 LBS		120 LBS				DEDUCTIONS FOR STOWED JIB	

ALLOWABLE LINE PULL								WARNING
1 PART LINE	2 PART LINE	3 PART LINE	4 PART LINE	5 PART LINE	6 PART LINE	7 PART LINE	8 PART LINE	
								<p>ANTI-TWO-BLOCK SYSTEM MUST BE IN GOOD OPERATING CONDITION BEFORE OPERATING CRANE.</p> <p>REFER TO THE OWNER'S MANUAL.</p> <p>KEEP AT LEAST 3 WRAPS OF LOAD LINE ON THE DRUM AT ALL TIMES.</p>
9080 LBS	18160 LBS	27240 LBS	36320 LBS	45400 LBS	54480 LBS	63560 LBS	72640 LBS	5/8" ROT RESISTANT (5.0:1 SF) - 45400 LBS MIN BREAKING STRENGTH
9500 LBS	19000 LBS	28500 LBS	38000 LBS	47500 LBS	57000 LBS	66500 LBS	76000 LBS	5/8" 6 X 25 IWRC (3.5:1 SF) - 33250 LBS MIN BREAKING STRENGTH

AREA OF OPERATION

WARNING:
 THE FRONT TIRES MUST BE IN CONTACT WITH THE GROUND, AND THE MACHINE LEVEL, WHEN OPERATING IN THIS AREA.



DEDUCTIONS FROM RATED LOADS FOR LOAD HANDLING DEVICES SUPPLIED BY MANITOWOC BOOM TRUCKS, INC.

- AUXILIARY BLOCK ----- 50 LBS
- OVERHAUL BALL ----- SEE OVERHAUL BALL MFRG. NAMEPLATE
- LOADBLOCK ----- SEE LOADBLOCK MFRG. NAMEPLATE
- HOSE REEL ----- 260 LBS
- SWING AROUND JIB (STOWED) ----- SEE LOAD CHART

FEB. 23 / 10

Master City Crane Rental
905-434-0500

* 38 Ton Footprint
Mantis

