

# Load Rating Chart

## ***Model 30112S***

Crane Overall Height: 12' 6"

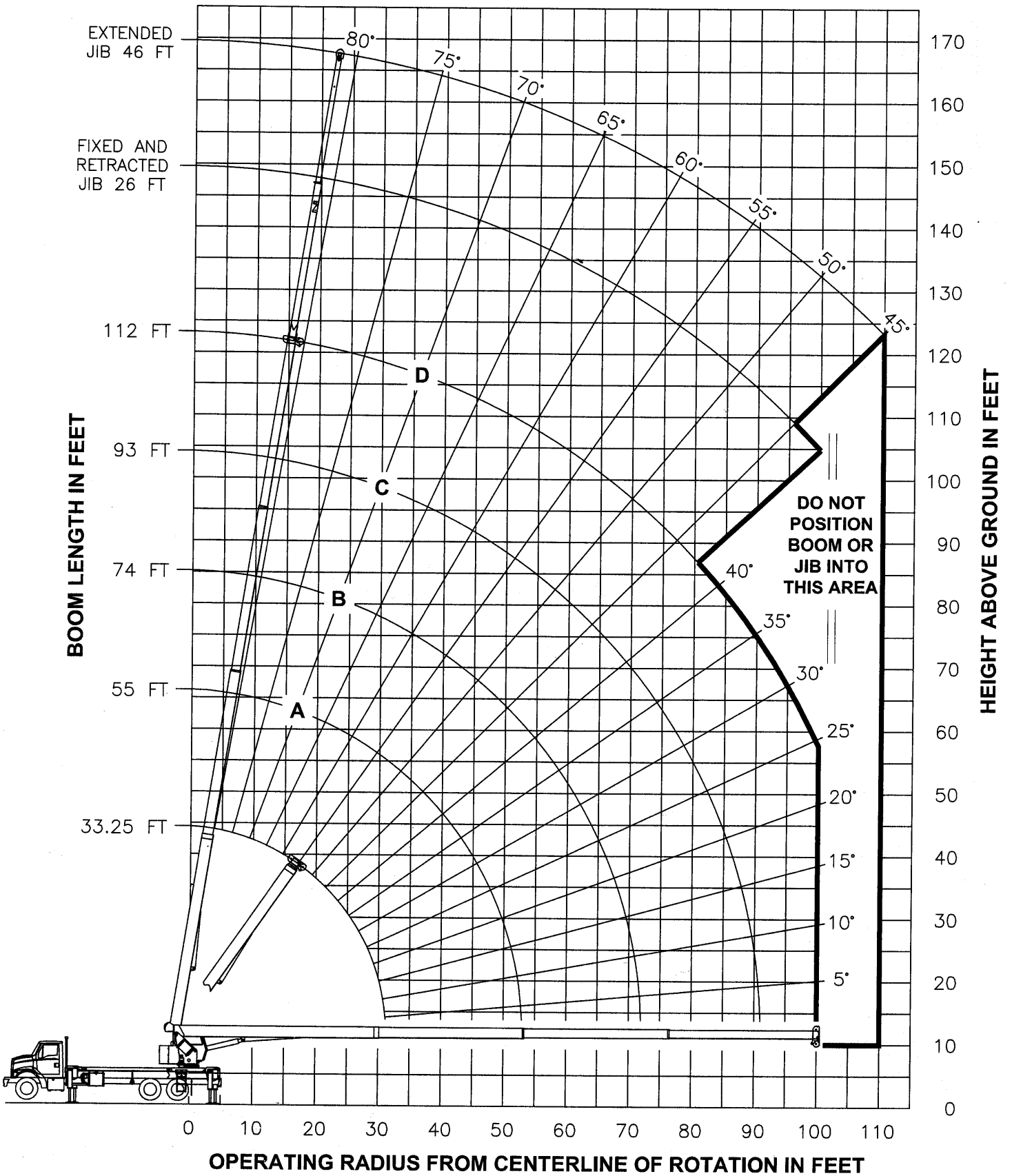


©Manitex 2003

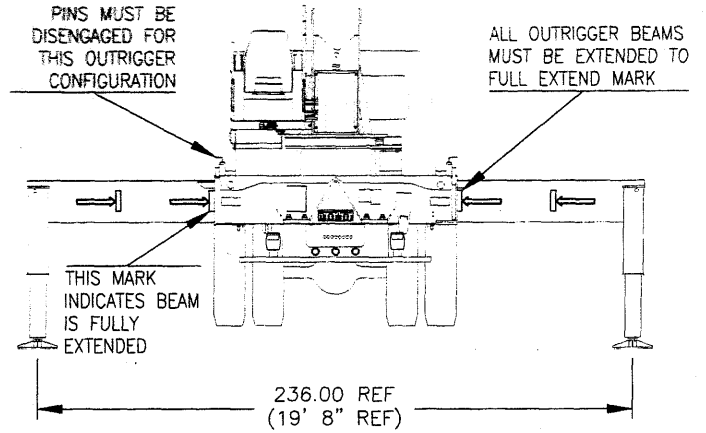
---

**NOTE:** Additional copies of this Load Rating Chart can be purchased from your Manitex Distributor. When ordering, use the part number shown in the bottom left corner of this page.

# RANGE DIAGRAM - FULLY EXTENDED OUTRIGGER CONFIGURATION -

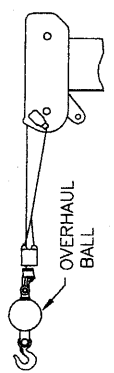
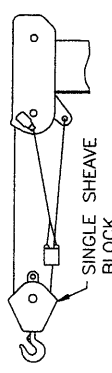
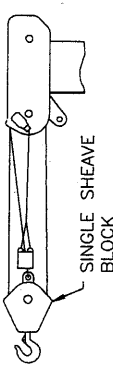
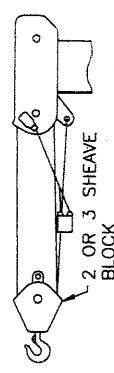
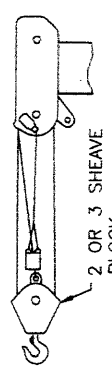
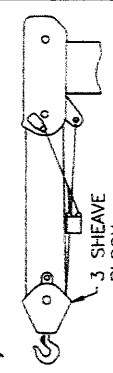
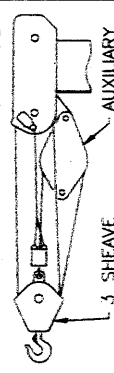


**USE THIS CHART ONLY  
WHEN ALL OUTRIGGERS  
ARE FULLY EXTENDED**

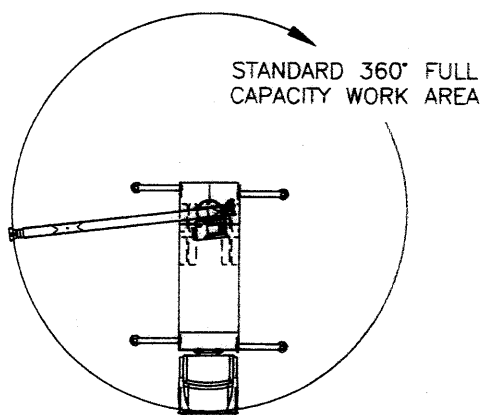


**MAIN BOOM AND JIB LIFTING CAPACITIES**

LOAD RADIUS (FT)	MAIN BOOM RATED LOADS										JIB RATED LOADS FOR ALL BOOM LENGTHS						
	33.25 FT (RETR) LMI CODE 1		55 FT (A) LMI CODE 1		74 FT (B) LMI CODE 1		93 FT (C) LMI CODE 1		112 FT (D) LMI CODE 1		LOAD RADIUS (FT)	26 FT FIXED JIB LMI CODE 2		26 FT TELE JIB LMI CODE 3		46 FT TELE JIB LMI CODE 4	
	LOADED BOOM ANGLE (DEG)	LIFTING CAPACITY (LBS)	LOADED BOOM ANGLE (DEG)	LIFTING CAPACITY (LBS)	LOADED BOOM ANGLE (DEG)	LIFTING CAPACITY (LBS)	LOADED BOOM ANGLE (DEG)	LIFTING CAPACITY (LBS)	LOADED BOOM ANGLE (DEG)	LIFTING CAPACITY (LBS)		LOADED BOOM ANGLE (DEG)	LIFTING CAPACITY (LBS)	LOADED BOOM ANGLE (DEG)	LIFTING CAPACITY (LBS)	LOADED BOOM ANGLE (DEG)	LIFTING CAPACITY (LBS)
5	80	60000									5						
8	75	43830									8						
10	71.5	37330	79.5	25000							10						
12	68	32640	77.5	25000							12						
15	62	27600	74.5	24610	79.5	22120					15						
20	51.5	21850	69	19320	75.5	18080	79.5	13300			20						
25	38.5	16630	63	15930	71.5	14750	76.5	11900	79.5	8000	25						
30	18.5	12710	57	13250	67.5	12440	73.5	10550	77	8000	30	80	4500	80	4300		
35			50	10540	63	10720	70	9330	74.5	7290	35	78	4500	78	4300	79.5	2700
40			42.5	8350	58.5	8570	67	8500	72	6600	40	76.5	4500	76.5	4300	78	2700
45			33.5	6630	53.5	6850	63	6960	69.5	5970	45	74.5	4300	74.5	4030	76.5	2700
50			21.5	5330	48	5560	59.5	5670	66.5	5390	50	72.5	4000	72.5	3720	75	2700
55					42.5	4550	55.5	4660	63.5	4730	55	70.5	3700	70.5	3420	73.5	2700
60					36	3740	51.5	3860	60.5	3920	60	68	3420	68	3140	72	2700
65					27.5	3070	47	3190	57	3260	65	66	3130	66	2800	70	2580
70					16	2510	42.5	2640	54	2710	70	63.5	2790	63.5	2440	68	2390
75							37	2170	50.5	2240	75	61	2350	61	2050	66.5	2220
80							31	1770	46.5	1840	80	58	1940	58	1650	64.5	2020
85							23.5	1410	42.5	1490	85	55.5	1590	55.5	1300	62	1770
90							11	1100	38.5	1180	90	52.5	1290	52.5	990	59.5	1460
95									33.5	910	95	49.5	1020	49.5	720	57	1190
100									28	670	100	46.5	780	46.5	480	54.5	940
105											105					52	730
110											110					49.5	530
		510 LBS		310 LBS		230 LBS		190 LBS		160 LBS		DEDUCTIONS FOR STOWED FIXED JIB					
		770 LBS		470 LBS		350 LBS		280 LBS		230 LBS		DEDUCTIONS FOR STOWED TELESCOPIC JIB					

<b>ALLOWABLE LINE PULL</b>							<b>WARNING</b>
1 PART LINE	2 PART LINE	3 PART LINE	4 PART LINE	5 PART LINE	6 PART LINE	7 PART LINE	
							
8500 LBS	17000 LBS	25500 LBS	34000 LBS	42500 LBS	51000 LBS	60000 LBS	
7700 LBS	15400 LBS	23100 LBS	30800 LBS	38500 LBS	46200 LBS	53900 LBS	9/16" 6X25 WRC (3.5:1 SF) - 30000 LBS MIN BREAKING STRENGTH  9/16" ROT RESISTANT (5.0:1 SF) - 38500 LBS MIN BREAKING STRENGTH

### AREA OF OPERATION



#### DEDUCTIONS FROM RATED LOADS FOR LOAD HANDLING DEVICES SUPPLIED BY MANITEX INC.

- AUXILIARY BLOCK — 50 LBS
- OVERHAUL BALL — SEE OVERHAUL BALL MANUFACTURER NAMEPLATE
- LOAD BLOCK — SEE BLOCK MANUFACTURER NAMEPLATE
- HOSE REEL — 140 LBS
- SWING AROUND JIB — SEE LOAD CHART