

Load Rating Chart

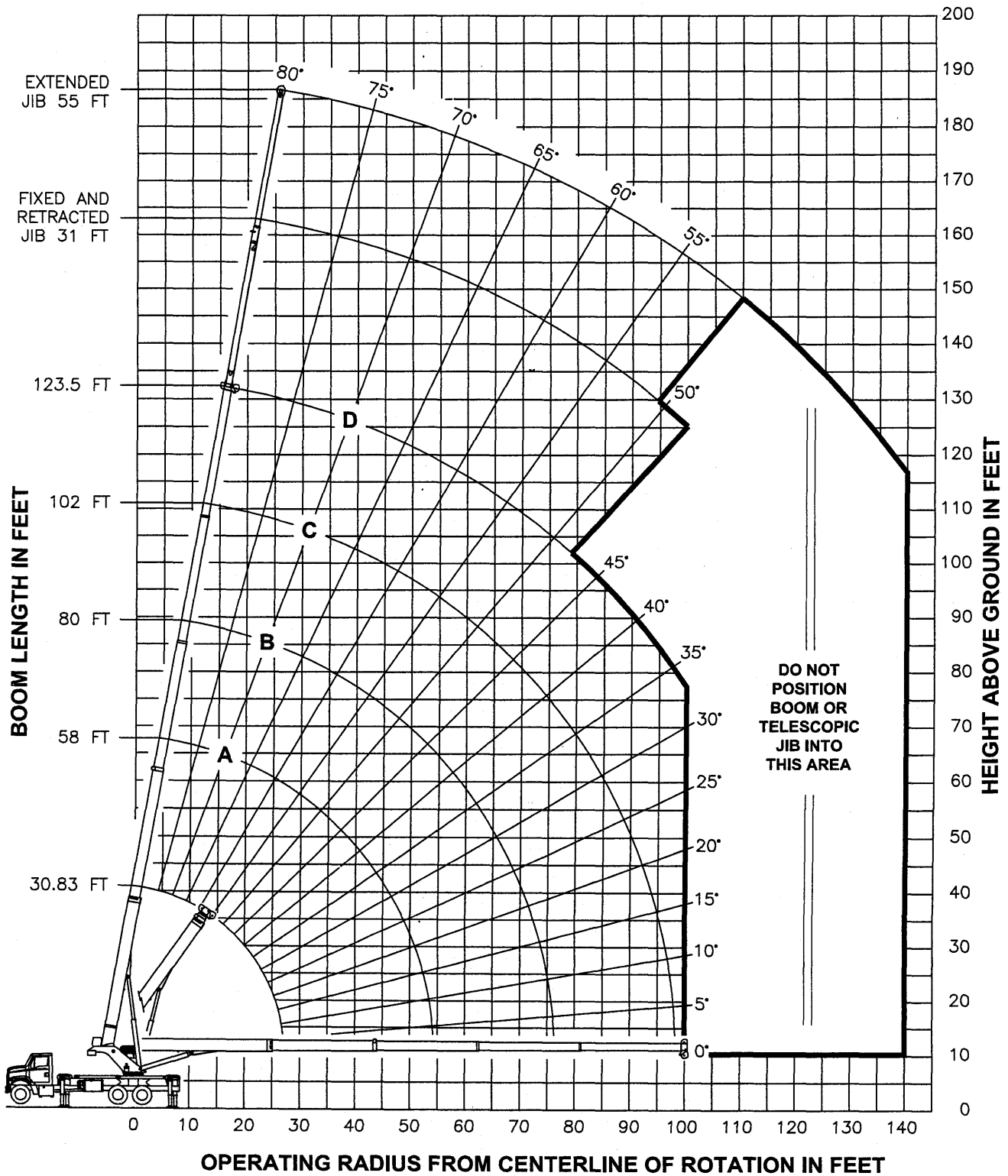
Model 40124S

Manitex

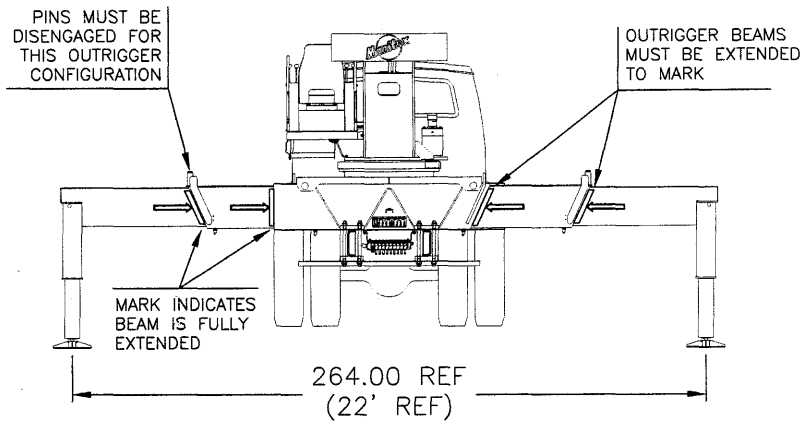
© ManiTex 2000

NOTE: Additional copies of this Load Rating Chart can be purchased from your ManiTex Distributor. When ordering, use the part number shown in the bottom left corner of this page.

RANGE DIAGRAM - FULLY EXTENDED OUTRIGGER CONFIGURATION -



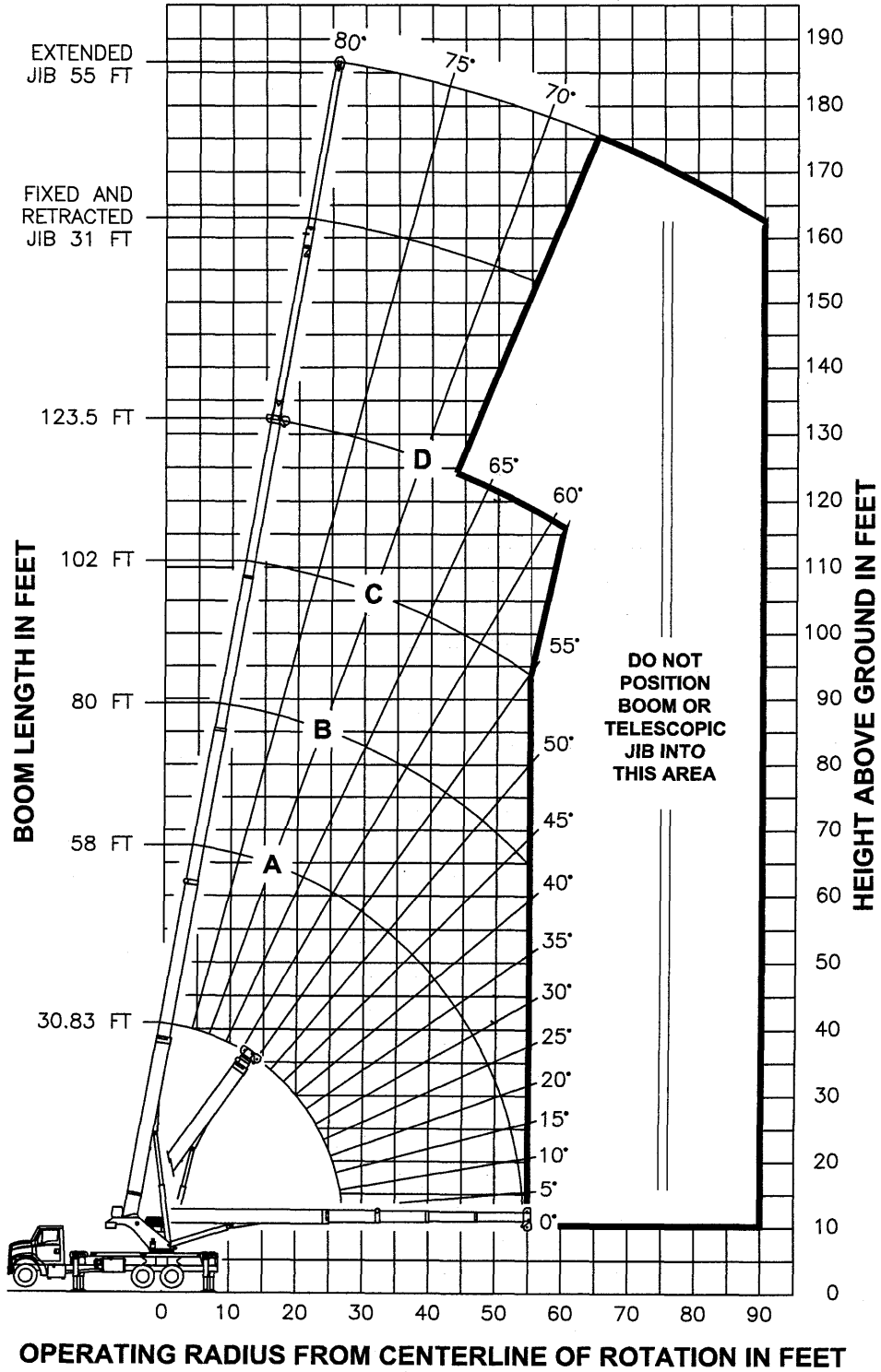
**USE THIS CHART ONLY
WHEN ALL OUTRIGGERS
ARE FULLY EXTENDED**



- FULLY EXTENDED OUTRIGGER CONFIGURATION -

LOAD RATINGS IN LBS WITH ALL OUTRIGGERS FULLY EXTENDED LMI CODE #1										JIB LOAD RATINGS IN LBS WITH ALL OUTRIGGERS FULLY EXTENDED										
O P E R A T I N G R A D I U S F T	L O A D E D B O O M A N G L E		B O O M L E N G T H A N D M A R K E R		B O O M L E N G T H S						F I X E D J I B		T E L E S C O P I C J I B							
					A		B		C		D		LMI CODE #2	LMI CODE #3	LMI CODE #4					
					30.83 FT	58 FT	80 FT	102 FT	123.5 FT	JIB LENGTH FOR ALL BOOM LENGTHS	JIB LENGTH FOR ALL BOOM LENGTHS	JIB LENGTH FOR ALL BOOM LENGTHS	JIB LENGTH FOR ALL BOOM LENGTHS							
5	75	80000																		
8	69	60500																		
10	64	52550																		
12	60	46600	75	25000																
15	53	39600	73	25000	79	21500														
20	40	30300	67	25000	75	19700	80	14500												
25	22	23070	62	22840	71	18200	77	13500	80	8450	25									
30			56	18670	67	16250	74	12820	78	8150	30	80	4000	79.5	3300					
35			49	14450	63	14540	71	11380	75	7800	35	78	3850	77.5	3300	79.5	2450			
40			42	11190	59	11490	68	10160	72	7280	40	76	3700	76	3300	78	2450			
45			34	8820	54	9110	65	9250	70	6780	45	74	3550	74	3300	76.5	2450			
50			23	7030	50	7340	61	7480	67	6160	50	72	3400	72	3300	75	2450			
55					44	5970	58	6110	65	5540	55	70	3250	70.5	3300	73	2450			
60					39	4880	54	5020	62	5000	60	68	3080	68.5	3300	71.5	2450			
65					32	3980	50	4130	59	4200	65	66	2910	66.5	3070	70	2420			
70					24	3230	46	3390	56	3460	70	64	2750	64.5	2750	68	2260			
75					12	2580	42	2760	53	2830	75	62	2600	62	2380	66	2110			
80							37	2220	50	2300	80	60	2460	60	2050	64.5	1940			
85							32	1750	47	1840	85	58	2260	58	1660	63	1750			
90							25	1340	43	1430	90	55	1850	55.5	1250	61	1580			
95							17	970	40	1070	95	53	1490	53	890	59	1440			
100									35	750	100	51	1170	50.5	570	57	1260			
105											105	48	880			55	970			
110											110	45	620			53	710			
		450 LBS	240 LBS	180 LBS	140 LBS	120 LBS						FIXED		D E D U C T I O N S F O R S T O W E D J I B						
		840 LBS	450 LBS	330 LBS	260 LBS	210 LBS						TELESCOPIC								

RANGE DIAGRAM - INTERMEDIATE OUTRIGGER CONFIGURATION -



NOTE : LIFTING PERSONNEL WITH CRANE IN THIS OUTRIGGER CONFIGURATION IS STRICTLY PROHIBITED. USE ONLY FULLY EXTENDED OUTRIGGER CONFIGURATION WHEN LIFTING PERSONNEL.