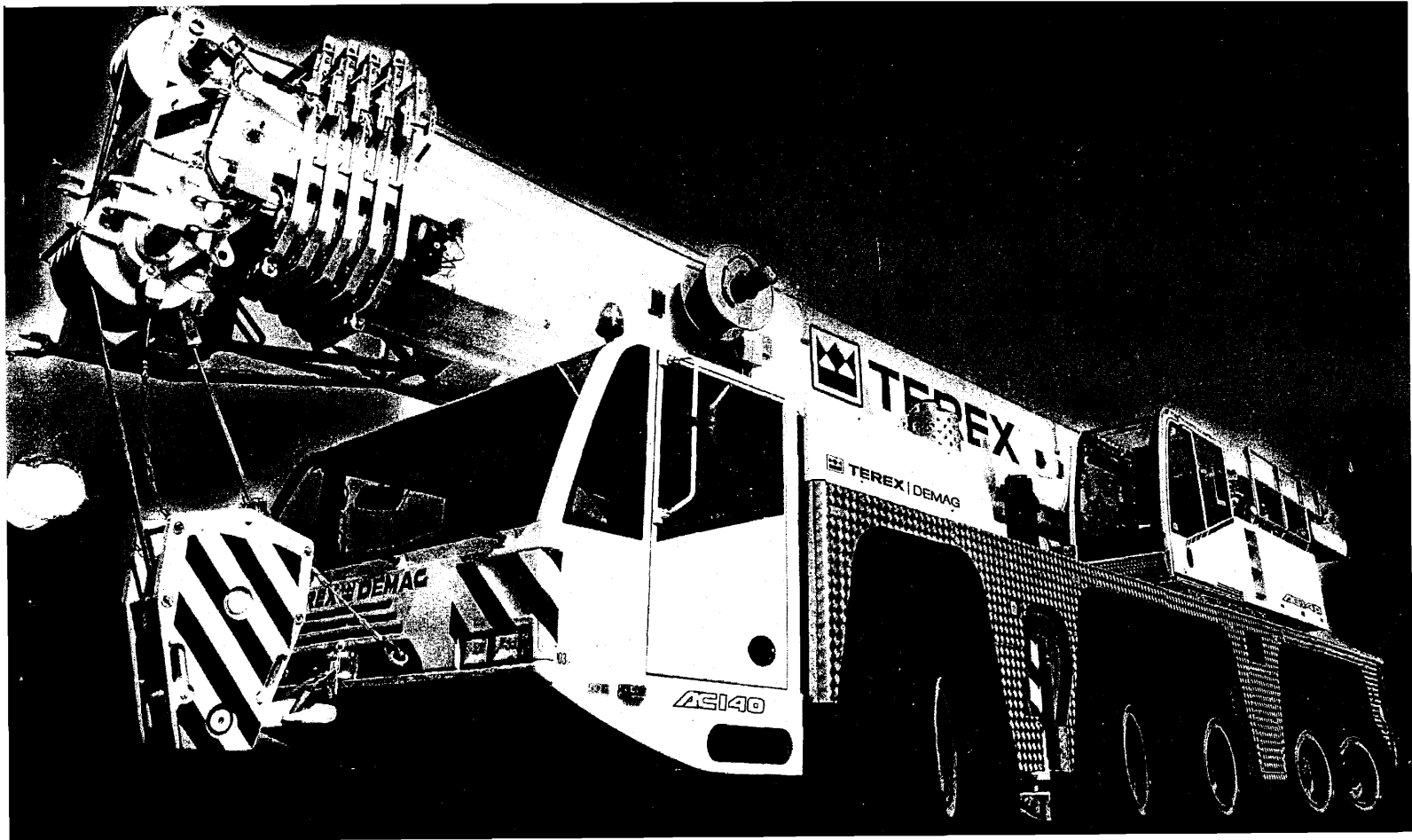
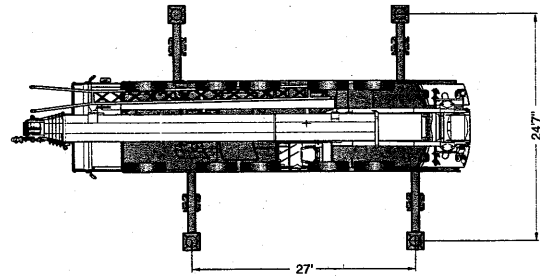
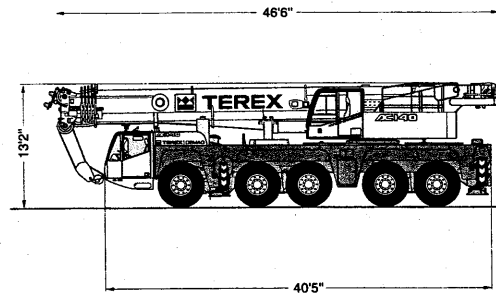
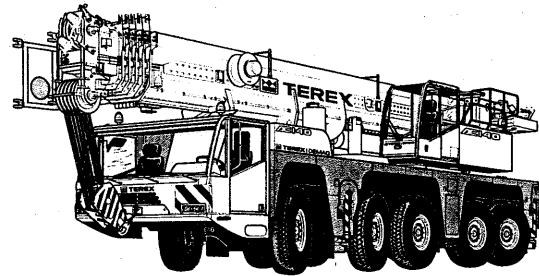


# **TEREX | DEMAG**

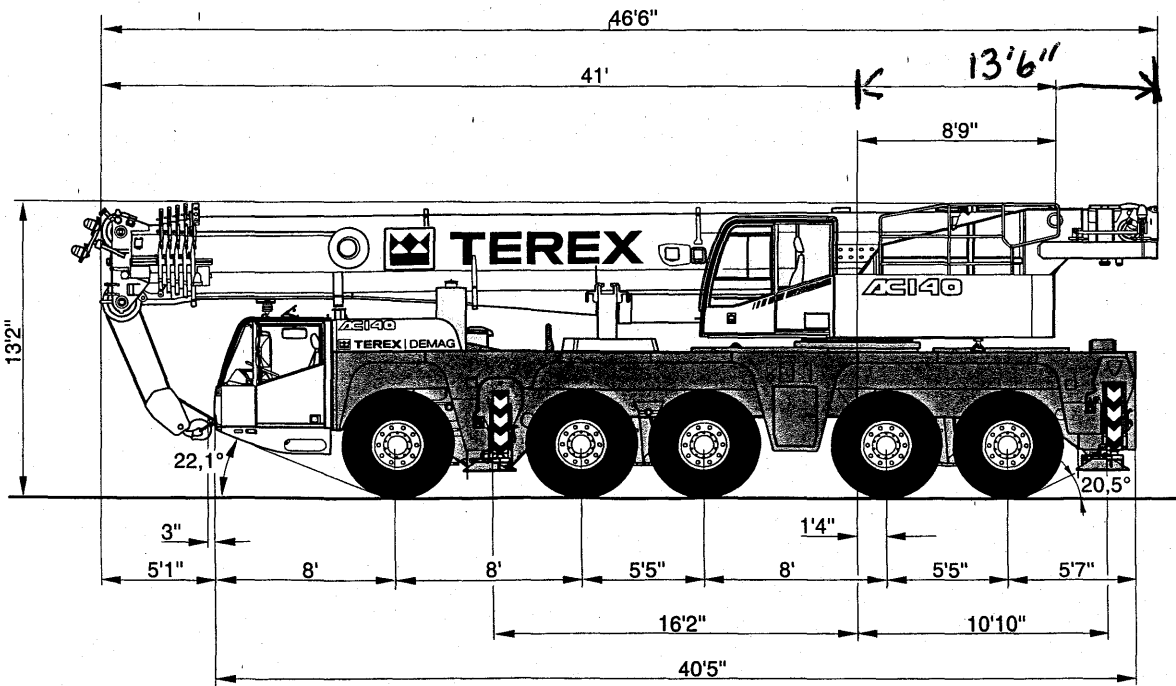
**AC 140 | All Terrain Crane 170 t Lifting Capacity**



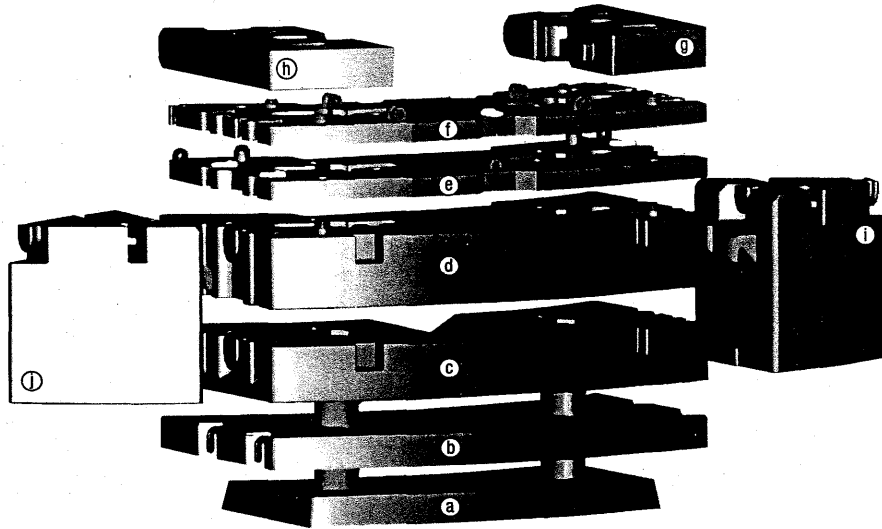
- ▶ 17,650 lb counterweight carried on the crane giving just 26,450 lb axle load
- ▶ 196.9 ft main boom and optional 29.9 ft to 108.3 ft boom extension
- ▶ State-of-the-art engine and transmission ensure high travel comfort
- ▶ Speed-dependent rear axle steering for increased maneuverability and driving stability
- ▶ Innovative Demag IC-1 crane control system with touchscreen



**DIMENSIONS**

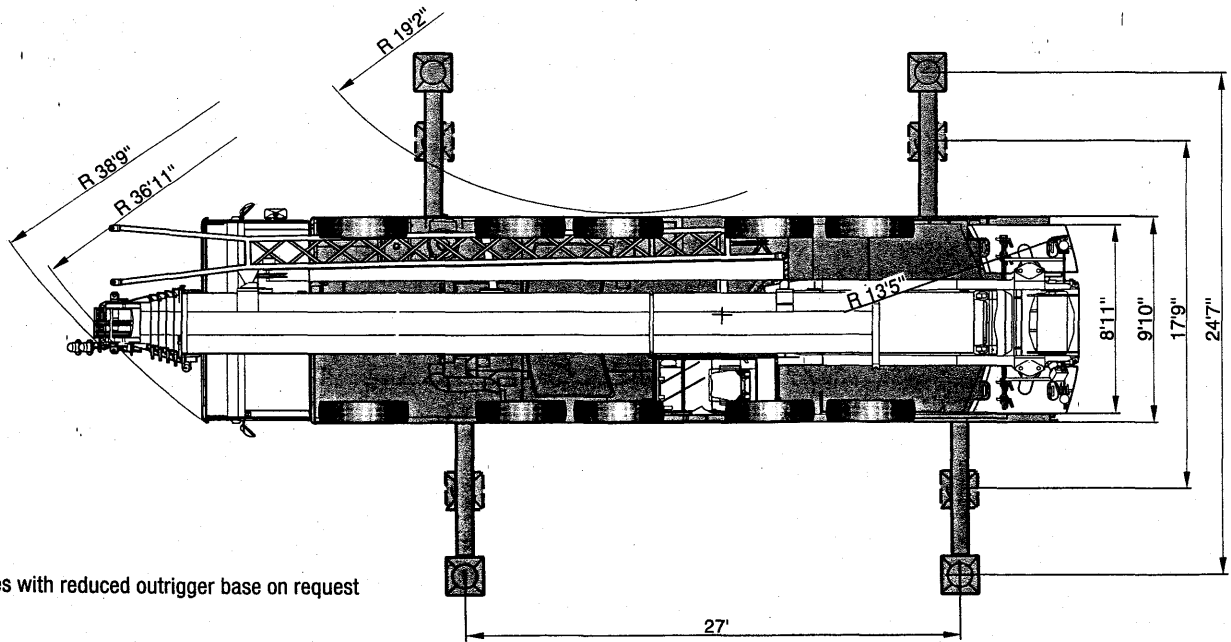
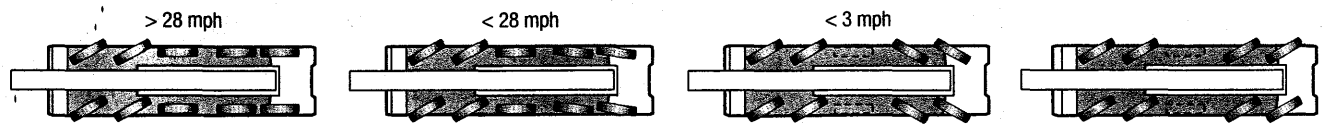


**DIMENSIONS**



1 LIFT →  
2 LIFT →

	Ⓐ 8,200 lb	Ⓑ 4,400 lb	Ⓒ 17,400 lb	Ⓓ 21,100 lb	Ⓔ 5,700 lb	Ⓛ 5,700 lb	Ⓜ 2,900 lb	Ⓝ 2,900 lb	Ⓟ 8,800 lb	Ⓠ 8,800 lb
0 lb										
13,900 lb	X						X	X		
18,300 lb	X	X					X	X		
23,800 lb	X	X				X	X	X		
29,800 lb	X	X			X	X	X	X		
29,800 lb	X	X	X							
41,500 lb	X	X	X			X	X	X		
47,100 lb	X	X	X		X	X	X	X		
51,200 lb	X	X	X	X						
56,900 lb	X	X	X	X			X	X		
62,600 lb	X	X	X	X	X	X				
68,300 lb	X	X	X	X	X	X	X	X		
68,300 lb	X	X	X	X					X	X
86,000 lb	X	X	X	X	X	X	X	X	X	X



Duties with reduced outrigger base on request

**SPECIFICATIONS**

**AXLE LOADS**

UFL 1-sheave, main boom extension 55.8 ft, 13,700 lb counterweight

UFL 1-sheave, 17,600 lb counterweight

Axles

5 x 26,500 lb

Total weight

132,500 lb

Additional versions and axle loads for offroad travelling on request.

**WORKING SPEEDS (INFINITELY VARIABLE)**

Mechanisms	Normal speed	High speed <sup>2)</sup>	Max. permissible line pull <sup>1)</sup>	Rope diameter / Rope length
Hoist I	148 ft/min	476 ft/min	18,200 lb	0.83" / 1000 ft
Hoist II	148 ft/min	476 ft/min	18,200 lb	0.83" / 1000 ft
Slewing				max. 1.7 1/min
Boom elevation				-1.5° - +82°

**CARRIER PERFORMANCE**

Travel speed

0 . . 53 mph

Gradeability

70 %

**HOOK BLOCK / SINGLE LINE HOOK**

Type	Possible load <sup>1)</sup>	Number of sheaves	Weight	D <sup>2)</sup>	Number of lines	Heavy-lift attachment
200	296,500 lb	9	3,860 lb	9.8 ft	18	4 add'l. sheaves + hoist 2
100	219,350 lb	7	2,200 lb	9.8 ft	13	2 add'l. sheaves
80	171,300 lb	5	2,050 lb	9.8 ft	10	
63	121,700 lb	3	1,550 lb	9.8 ft	7	
32	53,150 lb	1	1,200 lb	8.6 ft	3	
8	17,650 lb	Single line hook	550 lb	6.6 ft	1	

**Remarks**

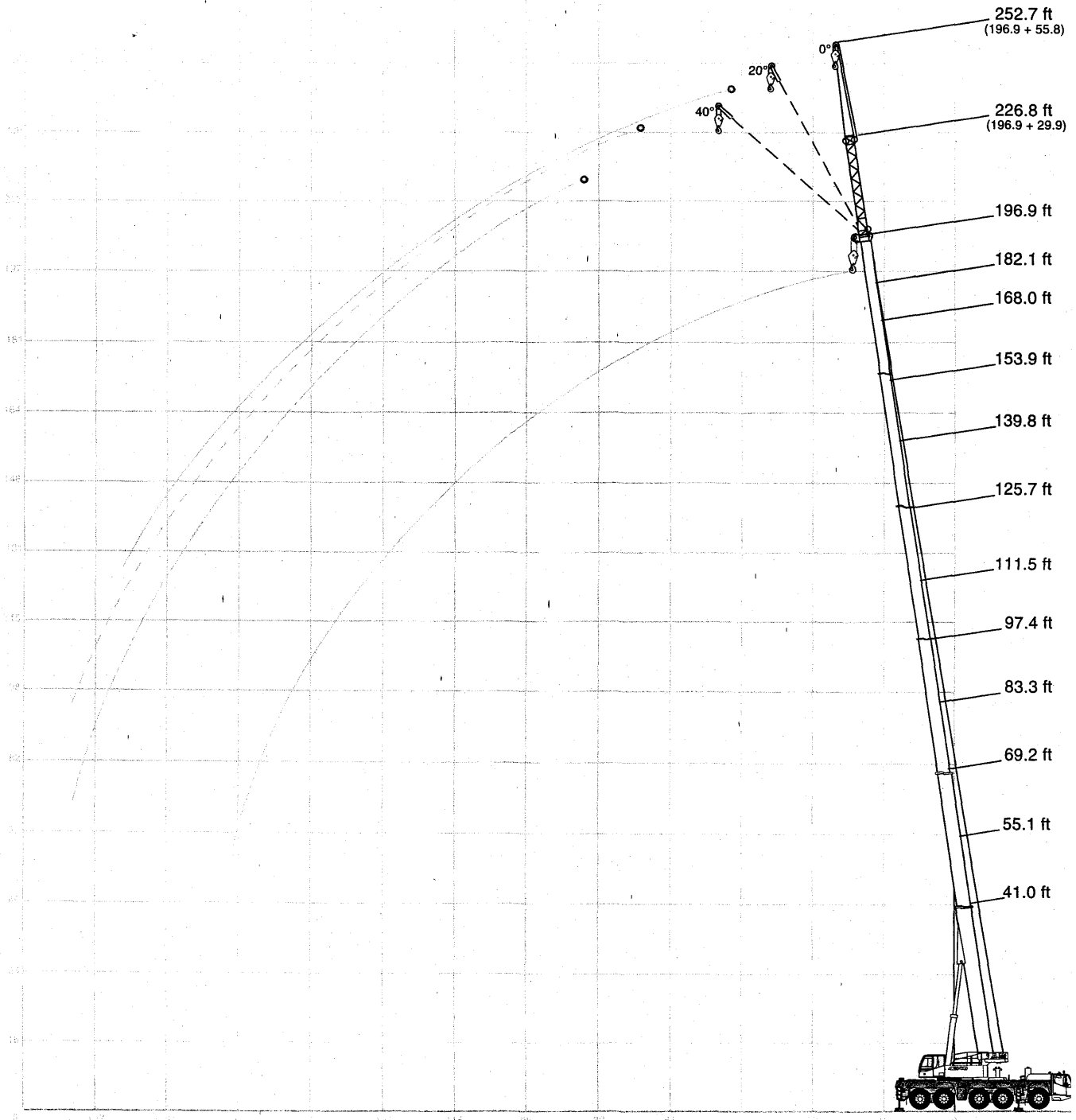
1) varies depending on national regulations

2) at max. rope's layer

\*\* Block usually used - 63 Tons (weighs 700 kgs.)

\*\* Maximum Wind Speed: 20 MPH (32 Kms./hr.)

**WORKING RANGES MAIN BOOM EXTENSION**



# Main Boom - Full Counterweight

# AC 140

## LIFTING CAPACITIES MAIN BOOM

86,000 lb

360°

85 %

Radius ft	Main boom												Radius ft	
	41.0	55.1	69.2	83.3	97.4	111.5	125.7	139.8	153.9	168.0	182.1	196.9		
	340.0*	-	-	-	-	-	-	-	-	-	-	-	-	
	1,000 lb													
10	264.6	237.0	218.5	151.9	-	-	-	-	-	-	-	-	-	10
12	238.1	223.8	203.9	145.5	-	-	-	-	-	-	-	-	-	12
13	221.6	213.4	189.6	166.2	129.4	-	-	-	-	-	-	-	-	13
15	207.7	199.5	178.8	158.3	125.7	-	-	-	-	-	-	-	-	15
16	194.9	187.4	168.2	150.6	122.1	93.3	-	-	-	-	-	-	-	16
20	172.6	166.9	150.4	136.0	115.3	88.6	77.6	-	-	-	-	-	-	20
23	150.6	149.9	132.5	124.3	108.7	84.7	72.1	-	-	-	-	-	-	23
26	129.6	128.8	122.1	112.7	101.9	80.5	66.6	57.8	-	-	-	-	-	26
30	112.4	112.4	110.9	101.2	94.8	76.9	61.3	54.0	45.0	-	-	-	-	30
33	-	100.5	99.9	94.6	88.0	73.6	56.2	50.5	43.9	35.9	-	-	-	33
39	-	81.4	80.7	79.1	76.5	67.2	49.6	43.7	39.2	34.2	26.9	20.5	-	39
46	-	62.4	67.0	67.5	66.8	61.3	43.2	38.8	34.8	31.5	26.0	20.3	-	46
53	-	-	56.7	56.0	54.2	56.0	38.4	34.2	31.3	28.9	25.1	19.4	-	53
59	-	-	42.3	46.3	48.1	46.5	35.9	30.4	28.0	26.2	23.8	18.3	-	59
66	-	-	-	40.3	40.8	39.2	33.3	27.8	24.9	23.6	22.0	17.2	-	66
72	-	-	-	36.2	35.1	33.5	30.9	24.9	22.9	21.2	20.1	16.1	-	72
79	-	-	-	-	30.6	29.1	29.1	22.7	20.7	19.6	18.3	15.2	-	79
85	-	-	-	-	26.9	25.4	26.7	21.2	18.7	18.1	16.8	14.1	-	85
92	-	-	-	-	-	23.6	23.6	19.8	17.0	16.3	15.7	13.0	-	92
98	-	-	-	-	-	22.3	20.9	18.7	15.9	14.8	14.3	12.1	-	98
105	-	-	-	-	-	-	18.5	17.4	14.8	13.7	13.2	11.2	-	105
112	-	-	-	-	-	-	16.5	16.5	13.9	12.8	11.9	10.6	-	112
118	-	-	-	-	-	-	8.2	15.2	13.0	11.9	11.2	9.7	-	118
125	-	-	-	-	-	-	-	13.7	12.3	11.0	10.4	8.8	-	125
131	-	-	-	-	-	-	-	7.9	11.9	10.4	9.7	8.4	-	131
138	-	-	-	-	-	-	-	-	11.0	9.7	8.8	7.7	-	138
144	-	-	-	-	-	-	-	-	6.0	9.3	8.2	7.1	-	144
151	-	-	-	-	-	-	-	-	5.5	8.4	7.5	6.6	-	151
158	-	-	-	-	-	-	-	-	-	5.7	6.6	6.0	-	158
164	-	-	-	-	-	-	-	-	-	5.5	5.7	5.5	-	164
177	-	-	-	-	-	-	-	-	-	-	-	4.2	-	177
190	-	-	-	-	-	-	-	-	-	-	-	-	-	190

**Remarks**

\* with special attachment, on request

Main Boom plus 29.9' or 55.8' Jibs

**LIFTING CAPACITIES MAIN BOOM EXTENSION**

86,000 lb

360°

85 %

41.0 ft Main boom		Extension					
Radius	29.9 ft			55.8 ft			
	0°	20°	40°	0°	20°	40°	
ft	1,000 lb						
10	35.7	-	-	23.4	-	-	
12	35.7	-	-	22.5	-	-	
13	35.7	-	-	21.6	-	-	
15	34.8	-	-	20.7	-	-	
16	34.0	25.4	-	20.1	-	-	
20	31.7	23.8	-	18.5	-	-	
23	29.5	22.5	-	17.2	-	-	
26	27.8	21.4	17.2	16.1	-	-	
30	25.8	20.5	16.5	15.0	12.1	-	
33	24.0	19.6	16.1	14.1	11.5	-	
39	21.4	18.1	15.0	12.8	10.6	-	
46	19.2	16.8	14.1	11.5	9.7	8.4	
53	17.6	15.9	13.9	10.4	8.8	7.7	
59	16.3	15.9	-	9.5	8.4	7.5	
66	-	-	-	8.6	7.7	7.1	
72	-	-	-	7.9	7.3	6.8	
79	-	-	-	7.5	7.1	6.8	
85	-	-	-	-	6.8	-	
92	-	-	-	-	-	-	
98	-	-	-	-	-	-	
105	-	-	-	-	-	-	
112	-	-	-	-	-	-	
118	-	-	-	-	-	-	

139.8 ft Main boom		Extension					
Radius	29.9 ft			55.8 ft			
	0°	20°	40°	0°	20°	40°	
ft	1,000 lb						
33	29.5	-	-	15.7	-	-	
39	27.8	-	-	14.8	-	-	
46	26.2	19.8	-	13.9	-	-	
53	24.7	19.0	15.4	13.0	10.1	-	
59	23.4	18.3	15.0	12.3	9.5	-	
66	22.3	17.6	14.6	11.7	9.3	-	
72	20.9	17.0	14.3	11.2	8.8	7.3	
79	19.4	16.3	14.1	10.6	8.4	7.1	
85	17.9	15.7	13.9	10.1	8.2	6.8	
92	16.3	15.0	13.7	9.7	7.7	6.8	
98	14.8	14.3	13.4	9.3	7.5	6.6	
105	13.7	13.4	13.2	8.8	7.3	6.4	
112	12.6	12.8	12.8	8.4	7.1	6.4	
118	11.7	11.9	11.9	7.9	6.8	6.4	
125	10.8	11.0	11.0	7.7	6.6	6.2	
131	9.9	10.1	10.1	7.5	6.6	6.2	
138	9.5	9.3	9.5	7.3	6.4	6.2	
144	9.0	9.0	9.3	6.8	6.4	6.2	
151	8.6	8.6	4.6	6.6	6.2	6.2	
158	4.4	4.4	-	6.4	6.2	6.2	
164	-	-	-	6.2	6.0	6.2	
177	-	-	-	6.0	5.7	3.1	
190	-	-	-	-	-	-	

168.0 ft Main boom		Extension					
Radius	29.9 ft			55.8 ft			
	0°	20°	40°	0°	20°	40°	
ft	1,000 lb						
39	22.5	-	-	-	-	-	
46	21.8	-	-	12.3	-	-	
53	20.9	17.6	-	11.9	-	-	
59	20.3	17.0	14.3	11.2	-	-	
66	19.2	16.5	14.1	10.8	8.8	-	
72	17.9	15.9	13.9	10.4	8.4	-	
79	16.5	15.2	13.7	9.9	8.2	6.8	
85	15.2	14.6	13.4	9.7	7.7	6.8	
92	13.9	13.9	13.2	9.3	7.5	6.6	
98	13.0	13.0	13.0	8.8	7.3	6.4	
105	11.9	12.1	12.3	8.6	7.1	6.4	
112	11.0	11.2	11.5	8.2	6.8	6.2	
118	9.9	10.4	10.6	7.9	6.8	6.2	
125	9.0	9.5	9.7	7.7	6.6	6.0	
131	8.6	8.6	8.8	7.5	6.4	6.0	
138	7.9	7.9	8.2	7.1	6.4	6.0	
144	7.5	7.5	7.5	6.8	6.2	6.0	
151	6.8	7.1	7.1	6.4	6.0	6.0	
158	6.4	6.4	6.6	6.0	5.7	5.7	
164	6.0	6.2	6.2	5.5	5.5	5.5	
177	4.4	4.6	3.3	4.6	4.9	4.9	
190	2.6	2.6	-	3.7	4.2	4.2	
203	-	-	-	2.6	2.9	2.0	

196.9 ft Main boom		Extension					
Radius	29.9 ft			55.8 ft			
	0°	20°	40°	0°	20°	40°	
ft	1,000 lb						
46	13.2	-	-	-	-	-	
53	13.2	-	-	8.6	-	-	
59	13.0	12.6	-	8.6	-	-	
66	12.3	12.1	11.9	8.4	-	-	
72	11.9	11.7	11.5	8.2	7.7	-	
79	11.5	11.2	11.0	7.9	7.5	-	
85	10.8	10.8	10.6	7.7	7.3	6.4	
92	10.1	10.1	10.1	7.5	7.1	6.2	
98	9.7	9.7	9.7	7.3	6.8	6.2	
105	9.0	9.3	9.3	7.1	6.6	6.0	
112	8.4	8.6	8.8	6.8	6.4	6.0	
118	7.9	8.2	8.4	6.6	6.2	5.7	
125	7.3	7.5	7.7	6.2	6.0	5.7	
131	6.8	7.1	7.3	5.7	5.7	5.5	
138	6.2	6.4	6.6	5.3	5.5	5.5	
144	5.5	6.0	6.0	5.1	5.1	5.3	
151	5.1	5.3	5.5	4.6	4.9	5.1	
158	4.9	4.9	5.1	4.2	4.4	4.6	
164	4.4	4.6	4.6	3.7	4.2	4.4	
177	3.3	3.7	3.7	3.3	3.5	3.7	
190	2.0	2.2	2.4	2.4	2.9	3.1	
203	-	-	-	-	2.0	2.2	
216	-	-	-	-	-	-	